

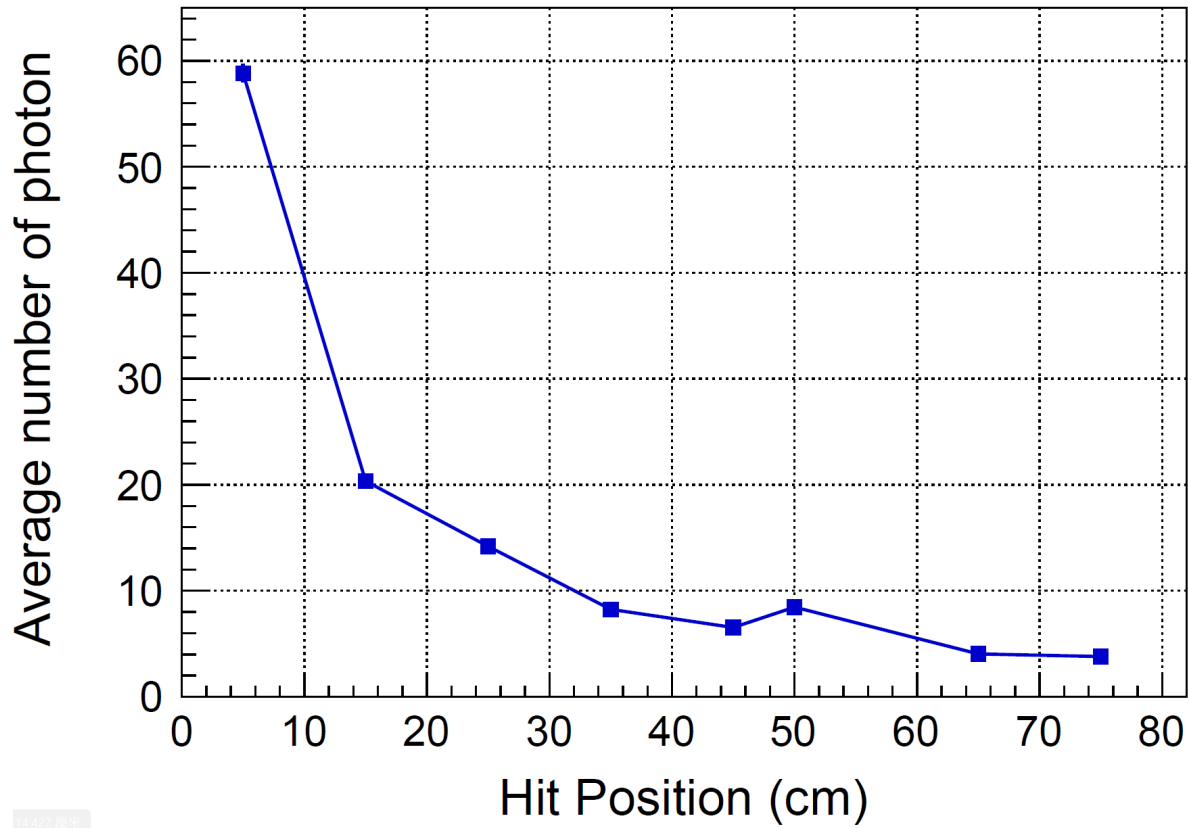
Group Meeting

邹世明

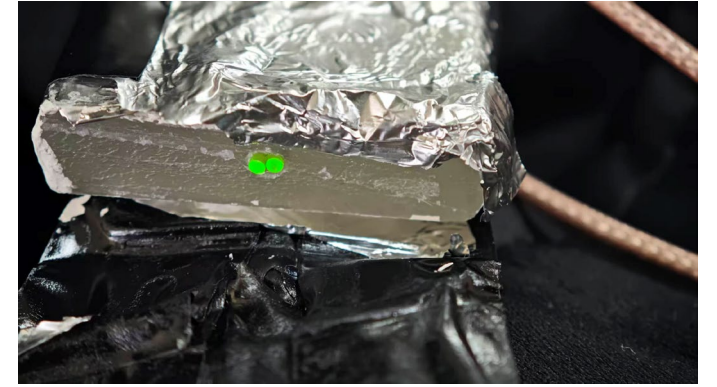
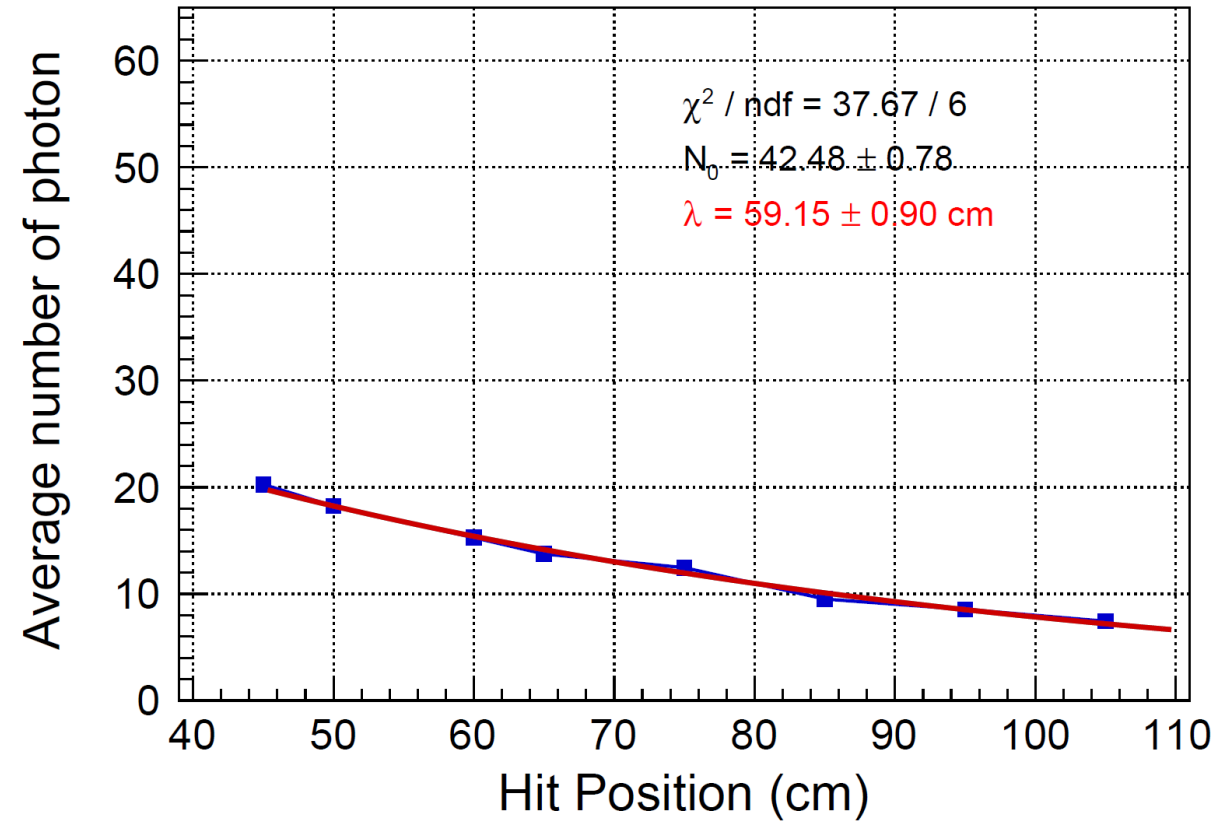
2026/06/05

WLS fiber from AHU

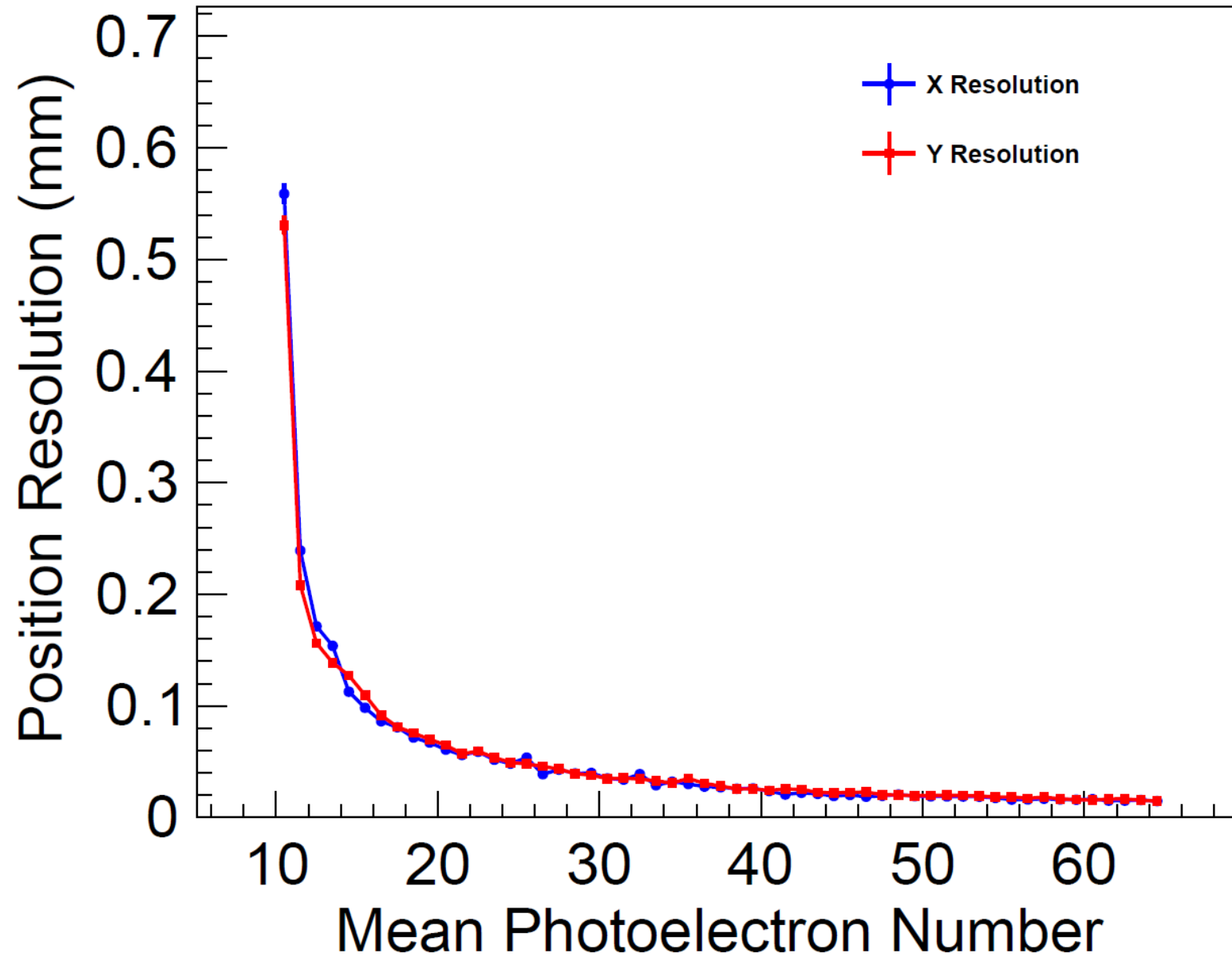
One fiber



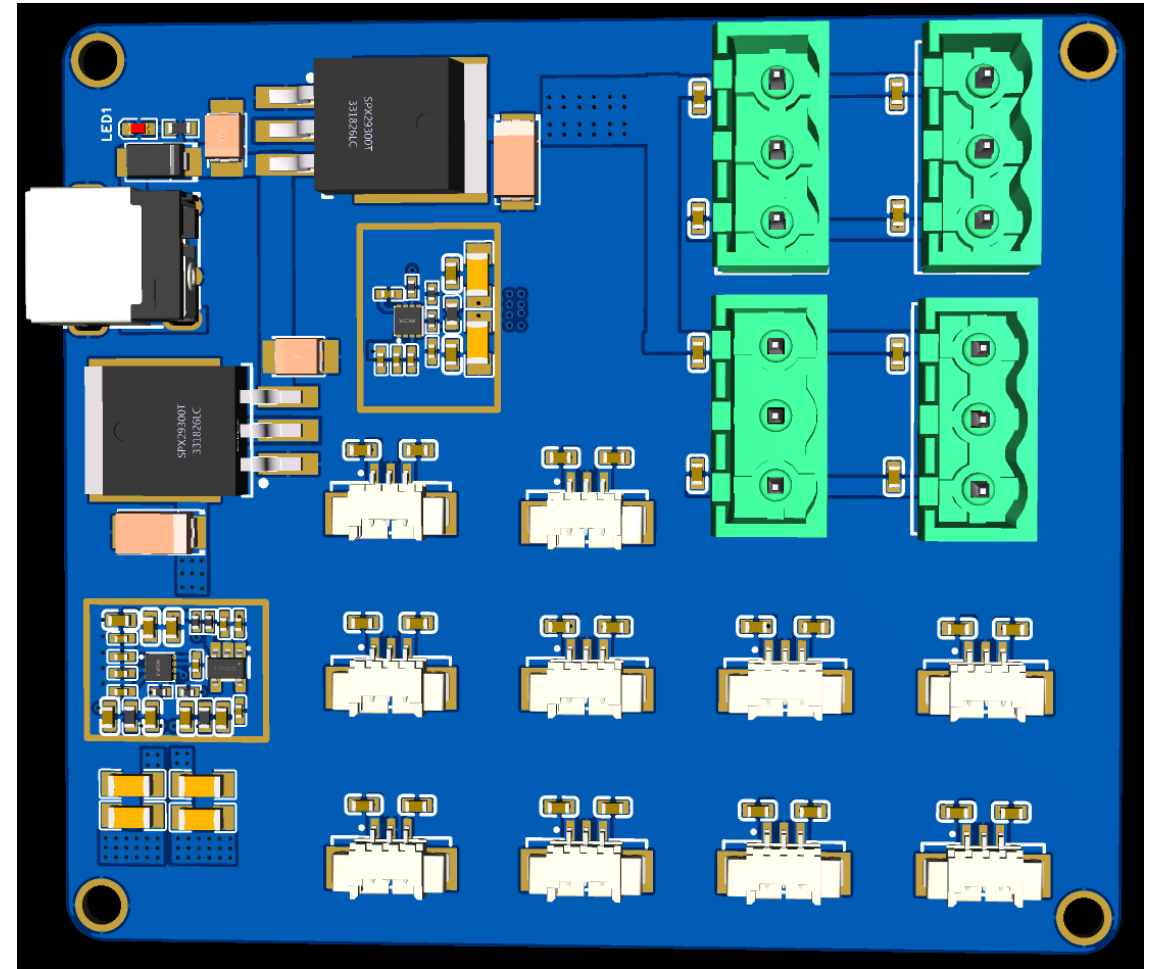
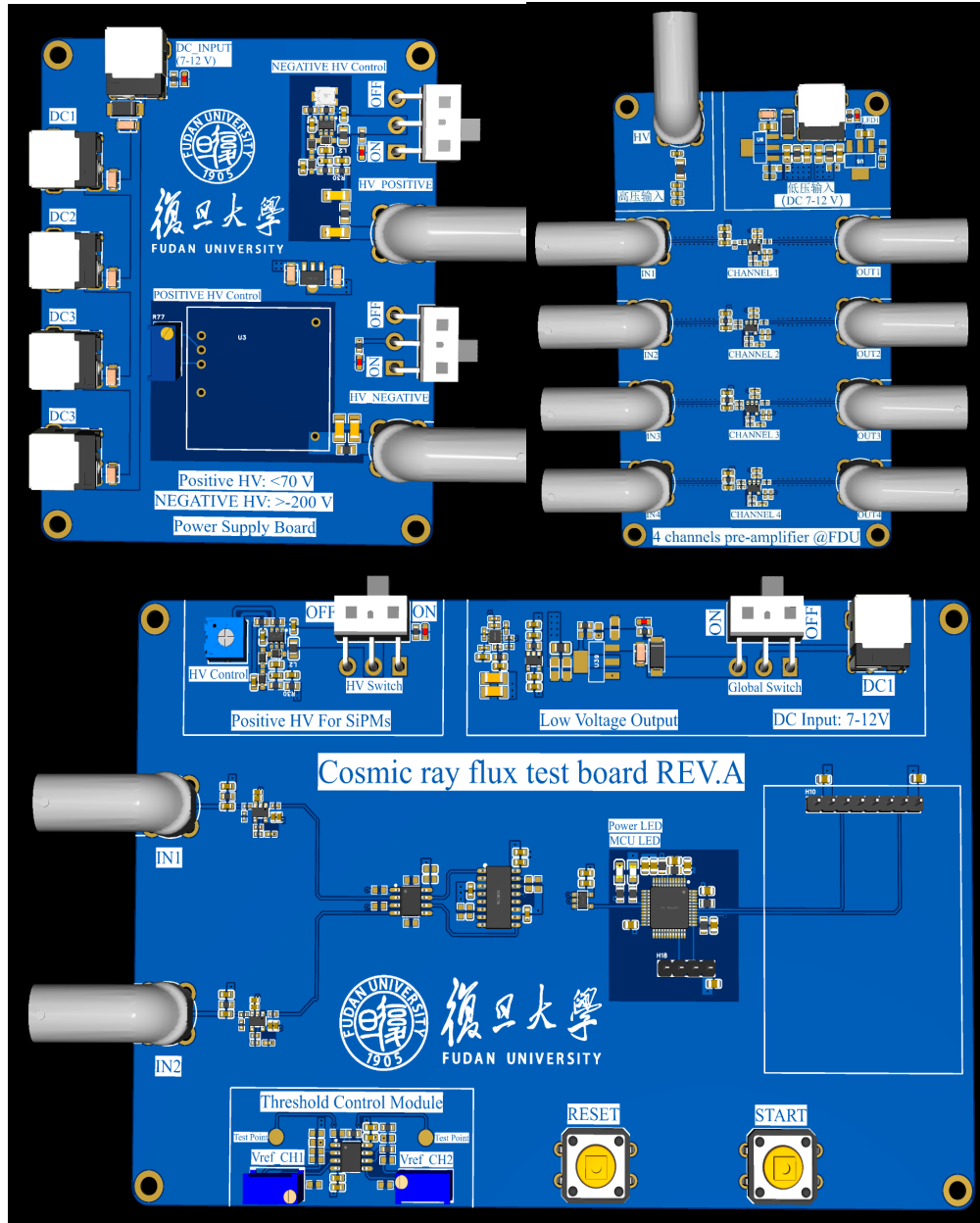
Two fibers



Spatial resolution \sim Np.e.



New PCBs



Power Supply board for beam test at KEK