

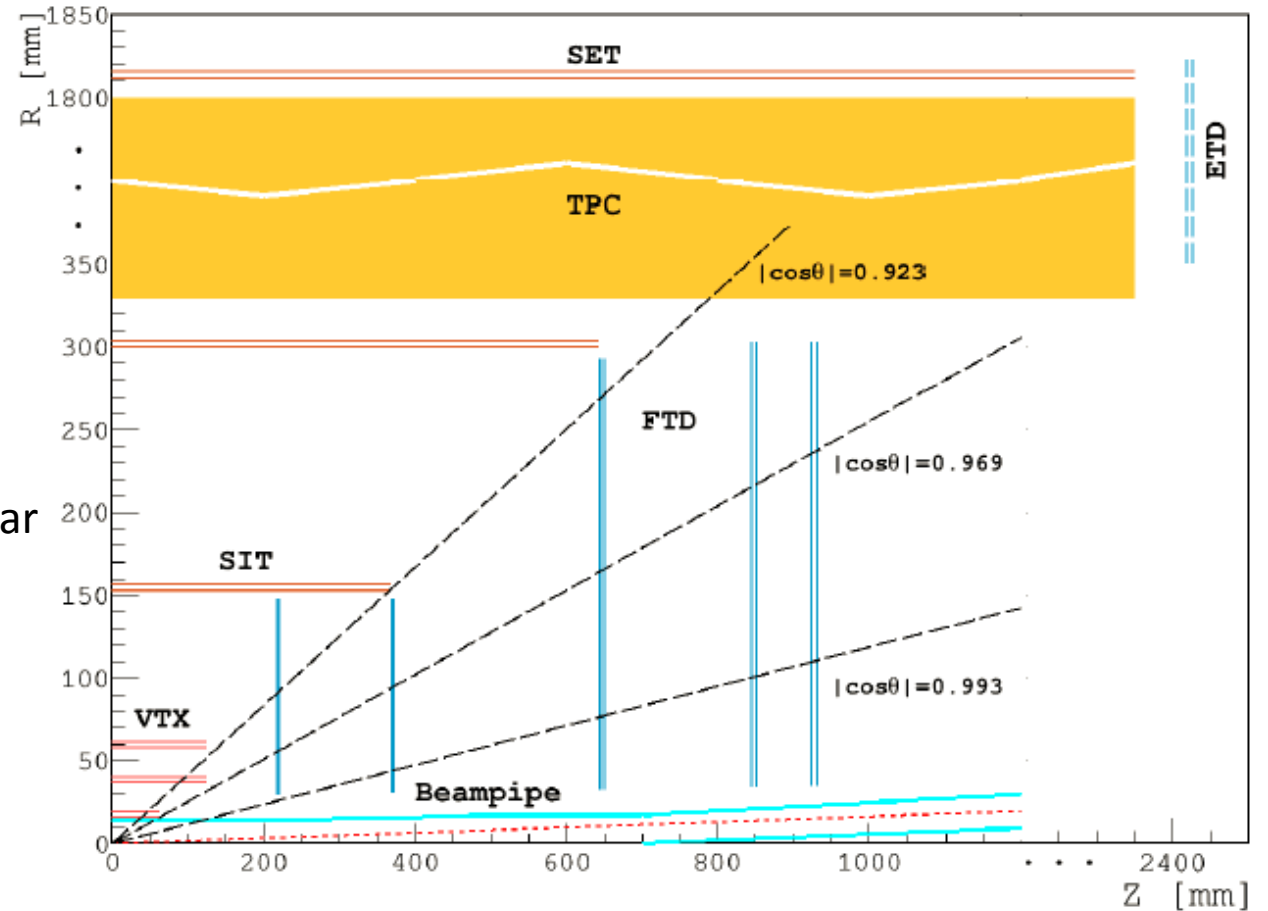
Updates

Yubo Han

Status

https://gitlab.cern.ch/hany/cepc_geo/tree/master

- Source file for detector constructing
 - CEPC_barrel.cpp
 - Ladder+modules
 - Single side, double sides
 - Ladder/module size position controllable
 - CEPC_endcap.cpp
 - Sub-Disc
 - Varies number of trapezoid/rectangular modules/others
 - Size and number controllable
 - CEPC_beampipe.cpp
 - A tube
- Xml files for basic detector description

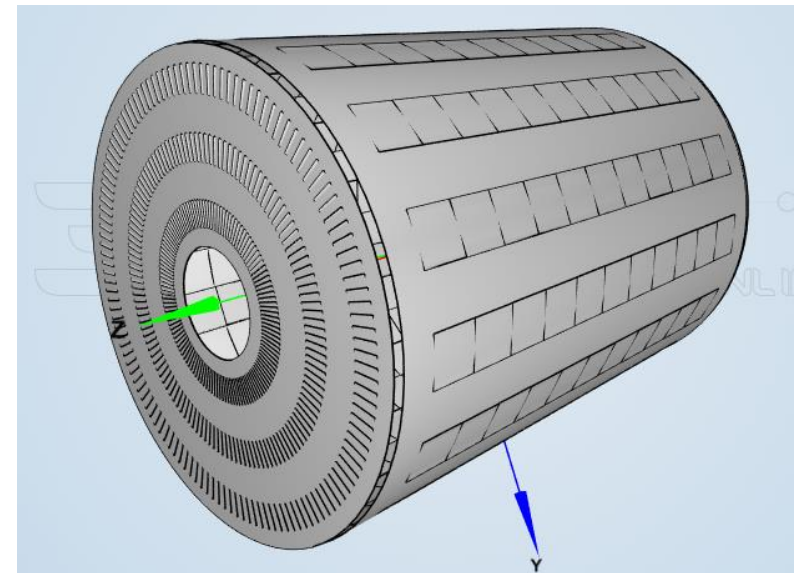
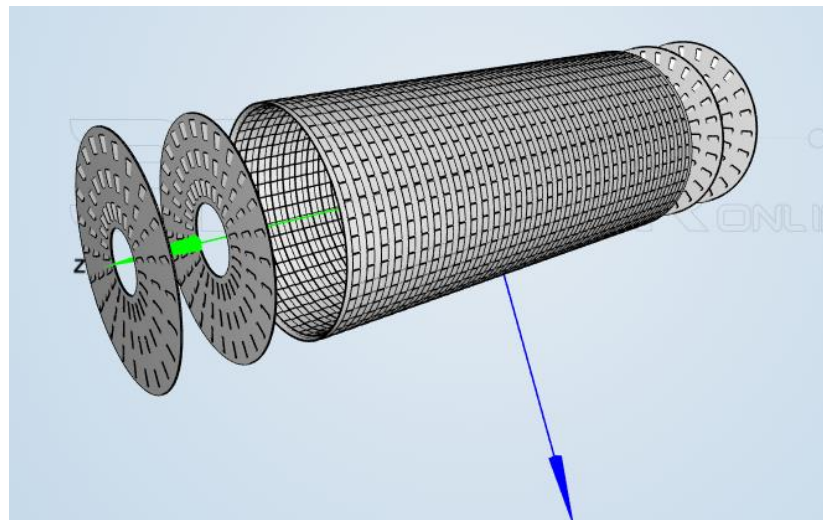
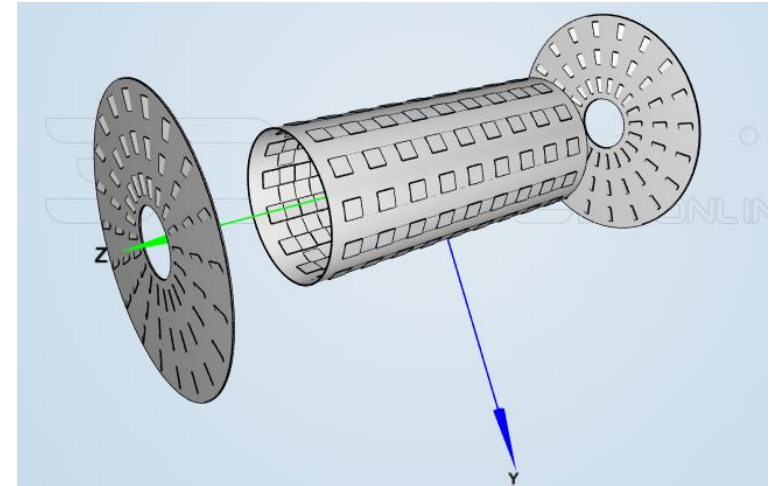
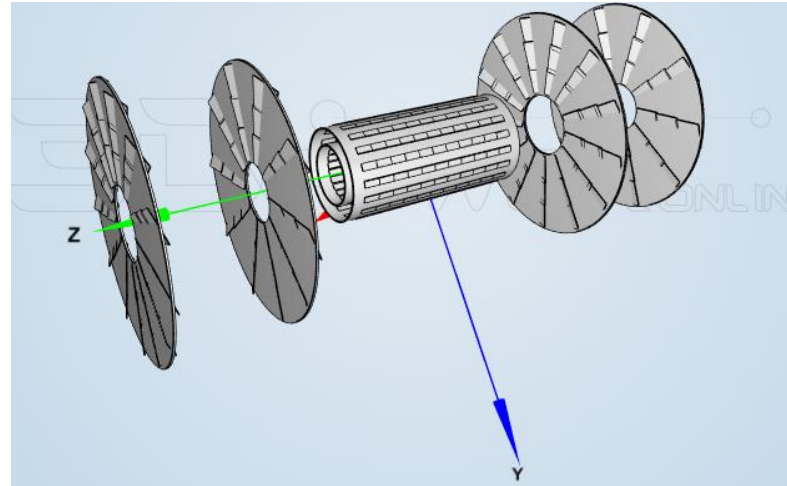


Details and remaining issues

- Geometry Output from ACTS

- Remaining details to be added:

- Modules size, number at different layers
- Readout segmentation
- Materials



Others and Next

- Could run Propagate example and Fatras tests using current version of Geometry
- results to be understood

Next:

- Optimize and update the Geometry
- Getting familiar with ACTS

